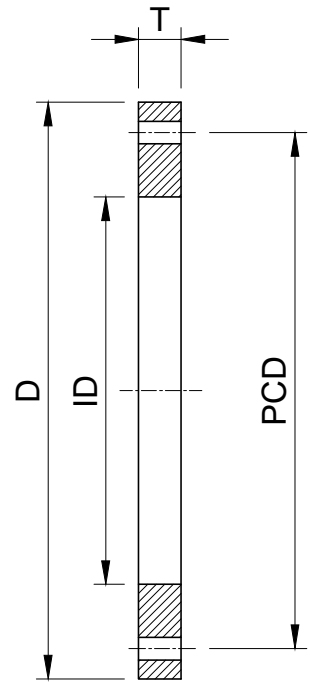
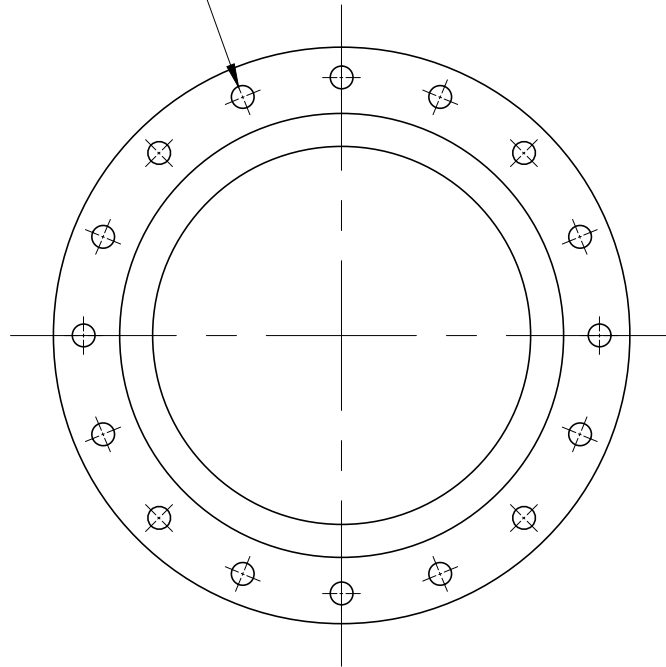


HOLES SUITABLE FOR  
BOLT SIZE - E, F  
EQUISPACED ON PCD



SR. NO	PIPE SIZE (NOMINAL BORE)	(D)	(ID)	(PCD)	(T)	NO. OF HOLES (E)	BOLT SIZE (F)
1	NB 300	490	323.9	440	30	16	M20

MATERIAL : CAST STEEL

NOTE:

- 1) ALL DIMENSIONS ARE IN MM.
- 2) FLANGE TO FIT ON PIPE OF NOMINAL BORE 300



**MORMUGAO PORT TRUST**

ENGG. MECH. DEPT.

**FLANGE FOR SUCTION LINE ELBOW FOR FIRE FIGHTING SYSTEM AT BERTH NO. 8**

DATE 14-07-2022

SCALE N.T.S

DRG. NO. 20171016-2 REV. 0

Sheet  
1/1